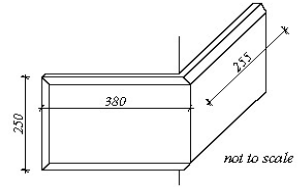
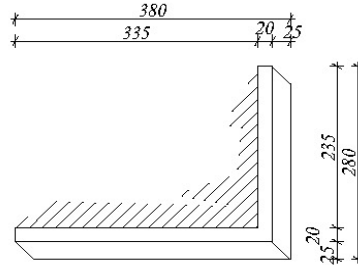
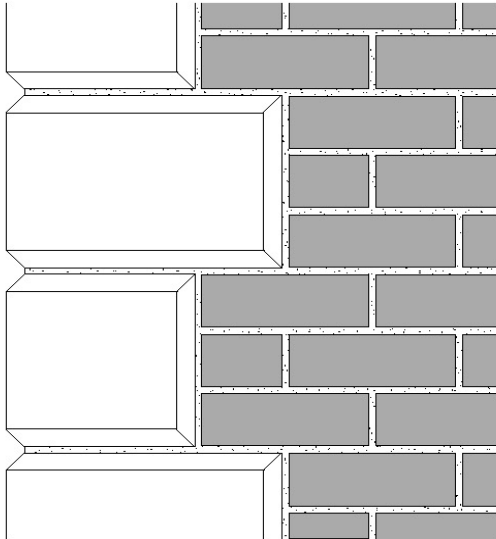
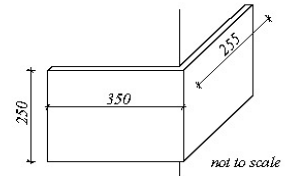
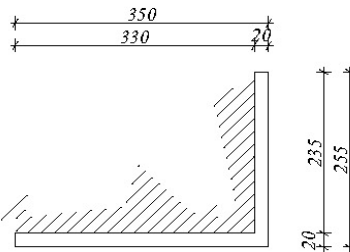




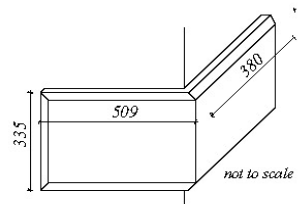
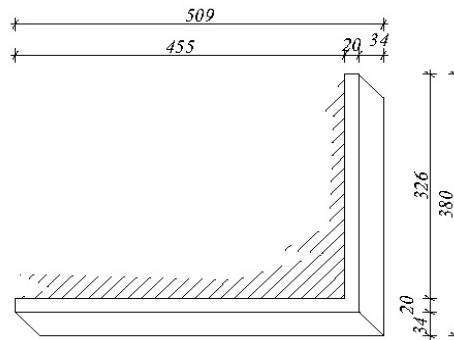
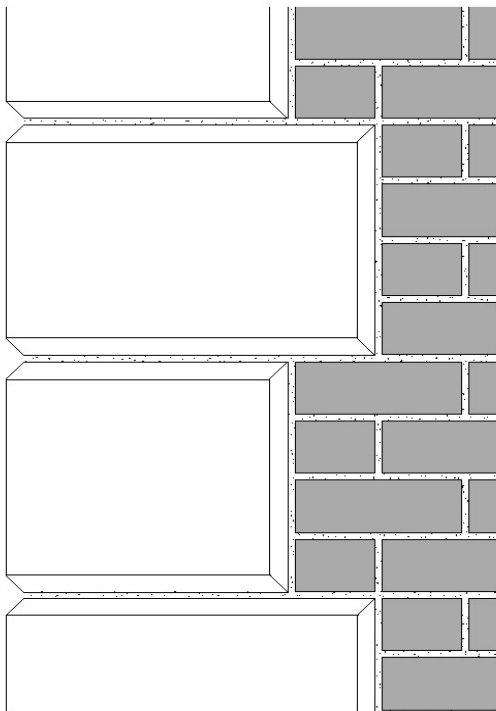
**QUOINS 3 AND 4 BRICK**



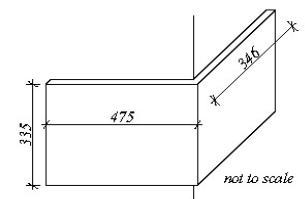
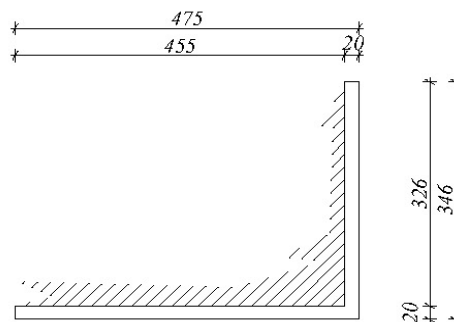
*3 brick facing quoin Q250C with chamfer (to be applied to brickwork)*



*3 brick facing quoin Q250P without chamfer (to be applied to brickwork)*



*4 brick facing quoin Q335C with chamfer (to be applied to brickwork)*



*4 brick facing quoin Q335P without chamfer (to be applied to brickwork)*